

INNO FOUR™ PROFILESPOT



INNO FOUR™ HMI 575 Profilespot with 19° lens and INNO DIM 170™

The HMI 575W lamp housing has been developed for all ETC Source Four spotlights and combines the unique optical characteristics of this new headlight generation with the brilliance of the HMI / MSR light source.

Countless lighting designers are enthusiastic about the versatile application possibilities.

These spotlights and especially the amazingly high light intensity with very compact housing form.

With MOTOR YOKE 3 are all INNO FOUR Headlights remote controlled.

FEATURES INNO FOUR™ PROFILESPOT

- ✓ Convection-cooled lamp house with a maximum temperature of 95°C
- ✓ Depending on the used optics, a 4-13 times higher light intensity is achieved than with a conventional 575HPL ETC Source Four. E.g. 7700 Lux at 30m distance with 5° optics and 12700 Lux with the same distance with 15-30° Zoom optics at 15° adjustment.
- ✓ External electronic ballast with DMX512 for start and stop, control of brightness from 100% to 30% possible.
- ✓ Mean lifetime of the lamp 1000h.
- ✓ Due to the elliptical optics, the light intensity is comparable to a 2,5kW HMI headlamp with condenser optics.
- ✓ Thanks to dichroic cold light mirrors, considerably less radiated heat.
- ✓ High efficiency compared to a 2,5kW HMI headlamp due to significantly lower operating costs such as electricity consumption and lamp costs.
- ✓ Optional accessories: INNO DIM 170™, color scroller, SeaChanger HMI make the INNO FOUR profile spotlight an outstanding spotlight that sets new standards in lighting technology. The accessories are supplied by the switchgear installed in the INNO DIM and can be connected to all 90-260 Volt 50/60Hz electrical networks and controlled by DMX512.

INNO FOUR PROFILESPOT



INNO FOUR™ ZOOM 25-50°
Set with INNO DIM 170™
and Wybron FORERUNNER
7"

The INNO FOUR lamp housing is also available as a conversion kit, with or without ETC Source Four headlights. Together with a variety of accessories and with the INNO FOUR universal electronic ballast 90-260Volt, 50/60Hz, a worldwide operation is possible.



PHOTOMETRICS

INNO FOUR Optik	Candela [cd]	Lux - Distanz in [m]				
		9	12	15	18	21
5°	6.936.000	85.630	48.167	30.827	21.407	15.728
10°	3.121.200	38.533	21.675	13.872	9.633	7.078
19°	800.000	9.877	5.556	3.556	2.469	1.814
26°	409.446	5.055	2.843	1.820	1.264	928
36°	222.750	2.750	1.547	990	688	505
50°	115.322	1.424	801	513	356	262
Zoom 15 - 30°						
15°	1.142.640	14.107	7.935	5.078	3.527	2.591
30°	306.820	3.788	2.131	1.364	947	696
Zoom 25 - 50°						
25°	419.391	5.178	2.912	1.864	1.294	951
50°	186.208	2.299	1.293	828	575	422



TECHNICAL SPECIFICATION

Weight for INNO FOUR™:

PROFILE SPOT 19, 26, 36, 50° 9,6kg (21,12lb)

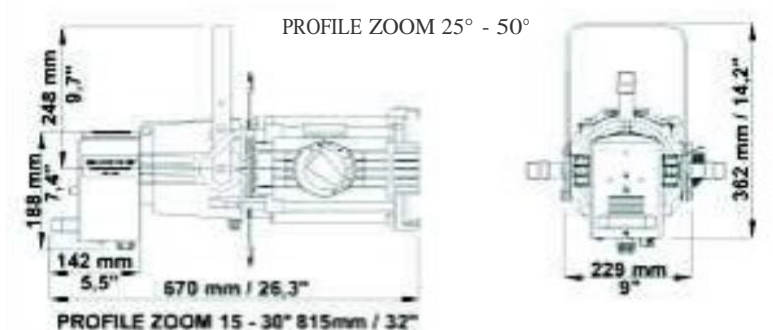
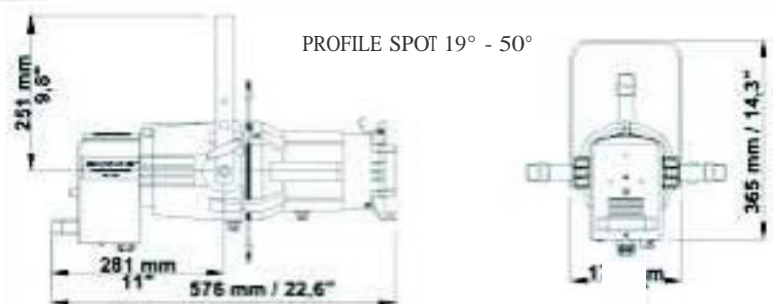
PROFILE ZOOM 15 - 30° 11,3kg (24,86lb)

PROFILE ZOOM 25 - 50° 10,8kg (23,76lb)

Electronical ballast 4,0kg (8,8lb)

Dimensions 385 x 75 x 110mm

15,01 x 2,93 x 4,29"



Lighting
Design
Development
Electronics

LDDE Vertriebsgesellschaft m. b. H.
Simmeringer Hauptstraße, 357,
1110 Vienna, Austria P: +43 1 7671811 0
E: office@ldde.com, W: www.ldde.com